

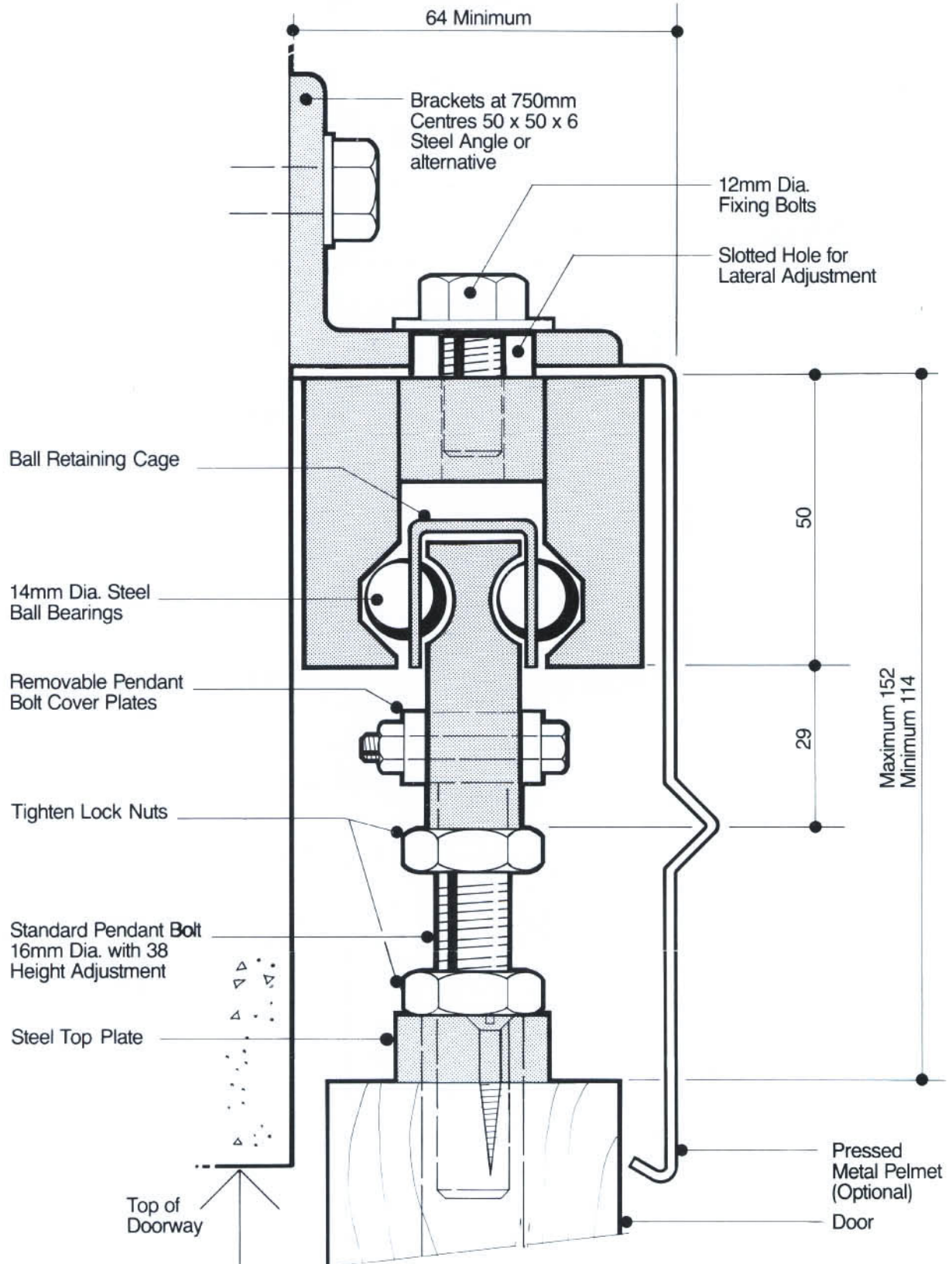
FITZROY BALL BEARING DOOR TRACKS

STEEL HEAVY S1000

Weight Capacity 1000 Kgs

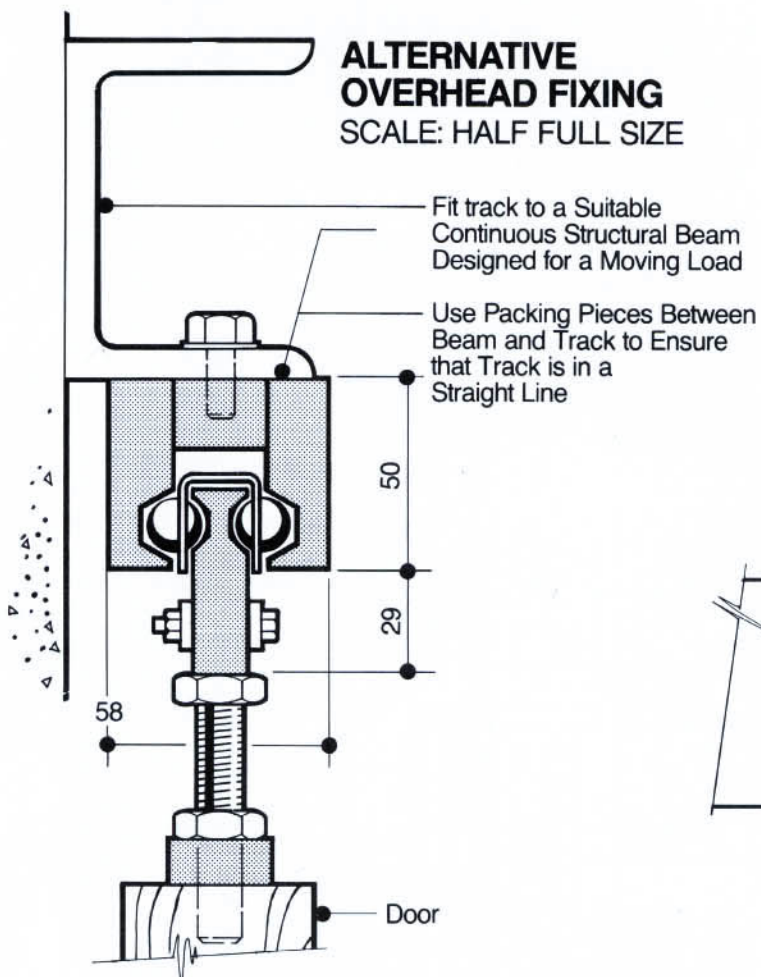
FACE OF WALL FIXING

SCALE: FULL SIZE



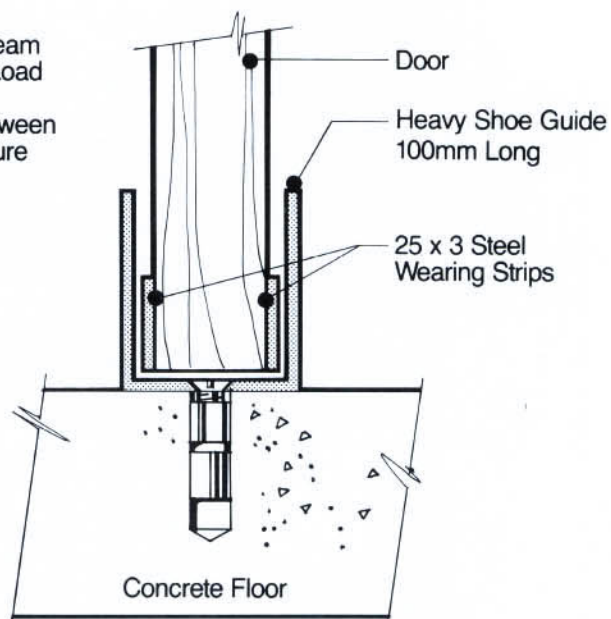
ALTERNATIVE OVERHEAD FIXING

SCALE: HALF FULL SIZE



SUGGESTED DOOR BASE SHOE GUIDE

SCALE: HALF FULL SIZE



ELEVATION

SCALE: QUARTER FULL SIZE

