

FITZROY BALL BEARING DOOR TRACKS

ALLOY LIGHT A100bp

ALLOY MEDIUM A500bp Hand Operated Bi-Parting Track

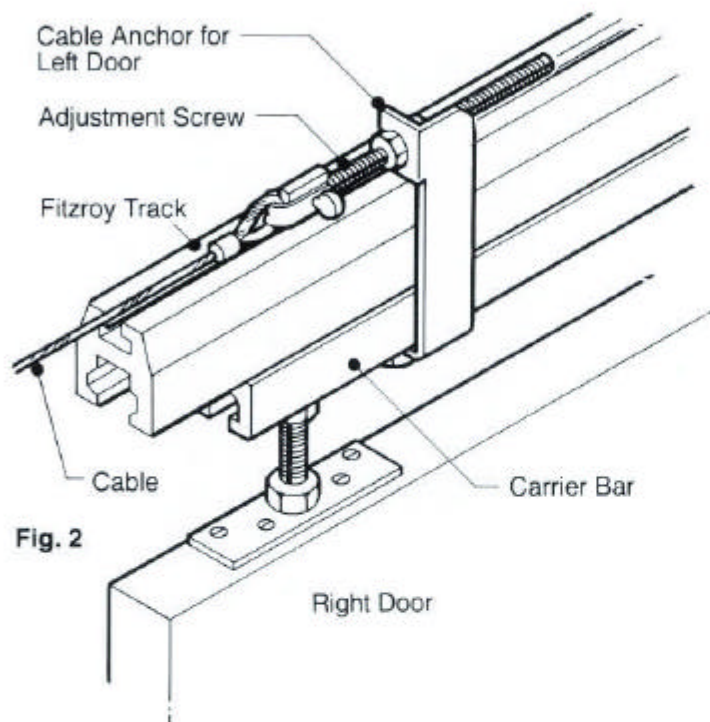


Fig. 2

Set out on this page is a Hand Operated Bi-Parting Door System using the Alloy Medium "Fitzroy" Door Track.

Fig. 1A: an elevation of the "Fitzroy" Door Track System showing the various components with the doors closed
Fig. 1B: the same track with the doors open.

Fig. 2: the "Fitzroy" Track with details of the door fixing and cable anchor arrangements.

The assembly weight should not exceed 100 kgs per door for Alloy Light A100bp and 500 kgs for Alloy Medium A500bp.

CHARLES MARSHALL PTY. LTD

ACN 004 107 411

451 Burnley St., Richmond,

Victoria. 3121. Australia

Phone: (03) 9429 9044.

Fax: (03) 9428 0238.

Distributed by:

Fig. 1A

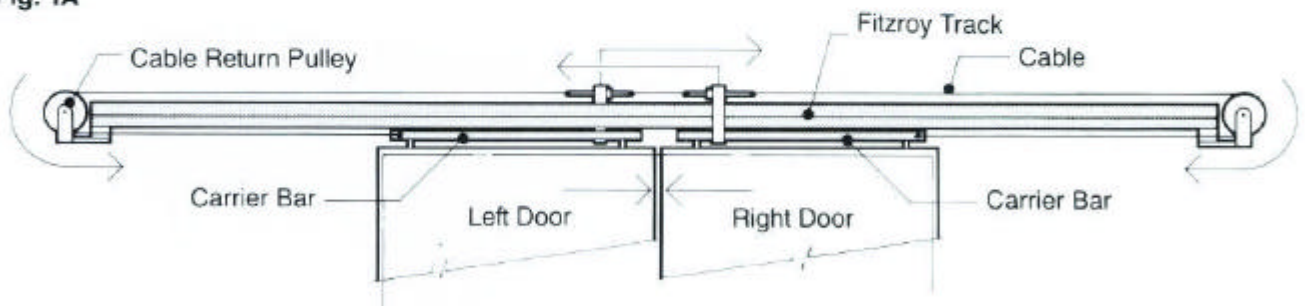


Fig. 1B

