

Marshall's

CHARLES MARSHALL PTY. LTD.
 MANUFACTURING ENGINEERS SINCE 1880
 451 BURNLEY STREET, RICHMOND, VICTORIA, 3121
 Telephone: (03) 9429 9044 ABN 53 004 107 411 Facsimile: (03) 9428 0238



"FITZROY" BALL BEARING DOOR TRACKS

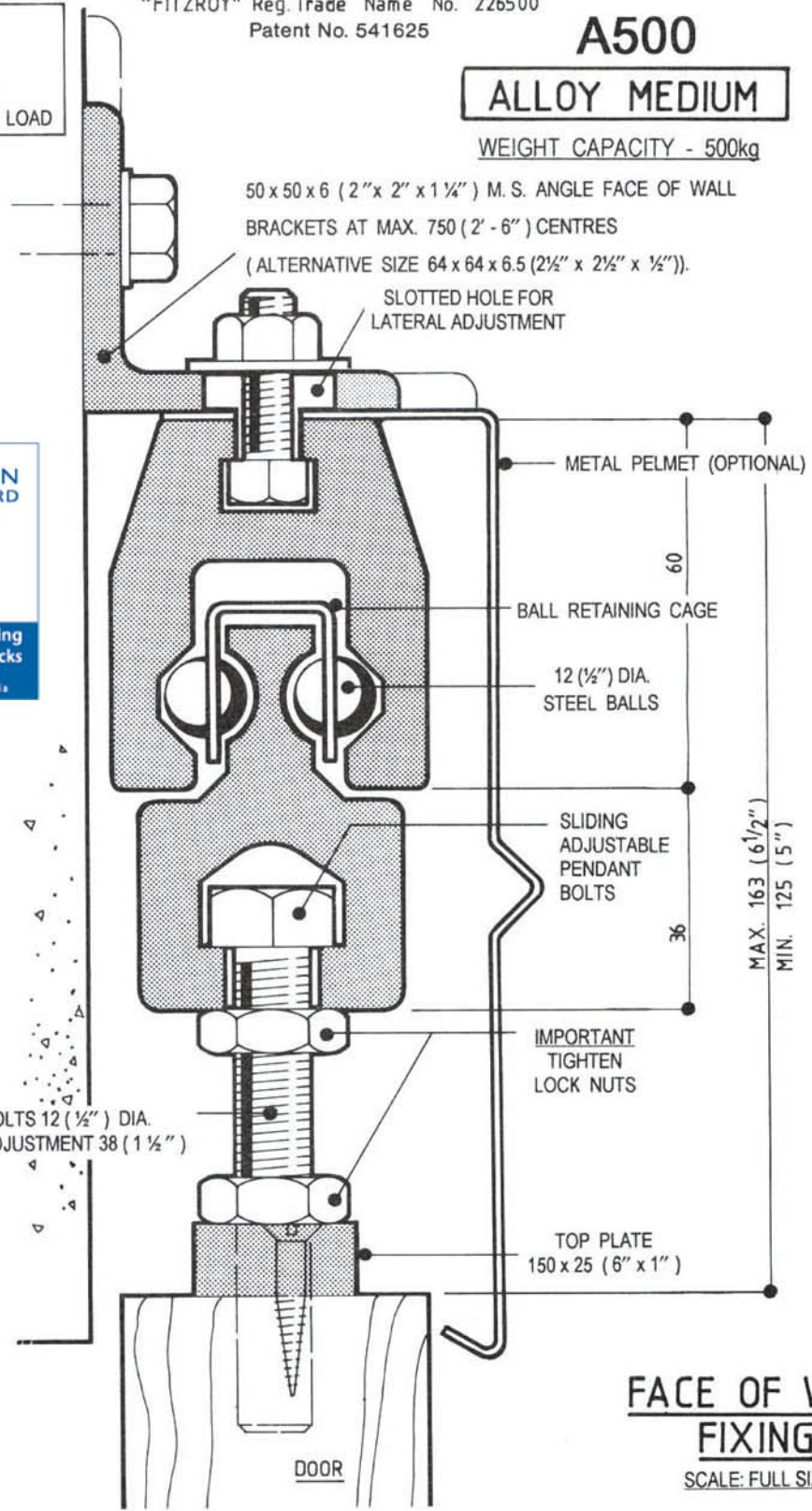
"FITZROY" Reg. Trade Name No. 226500
 Patent No. 541625

A500

ALLOY MEDIUM

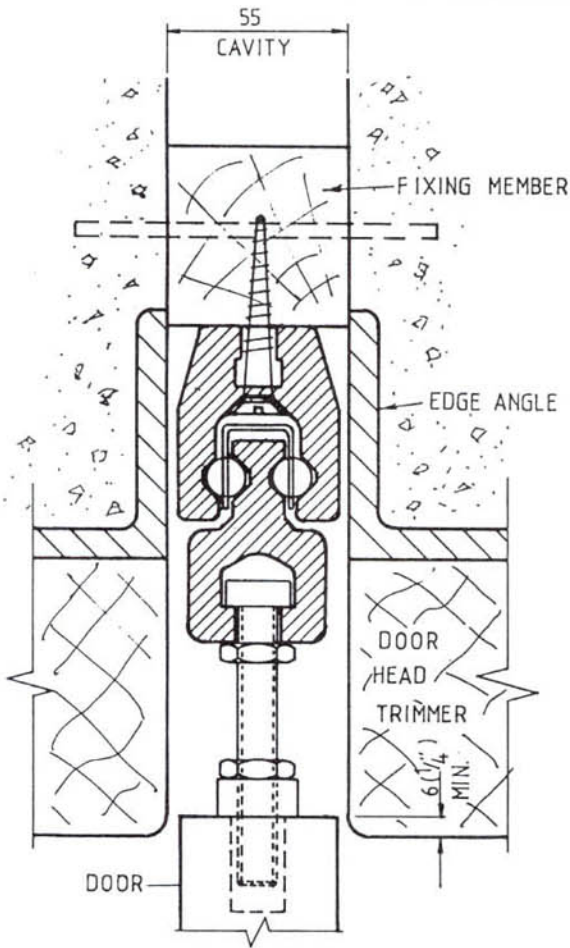
WEIGHT CAPACITY - 500kg

PROTOTYPE TESTED TO 250 000 OPERATIONS UNDER FULL LOAD



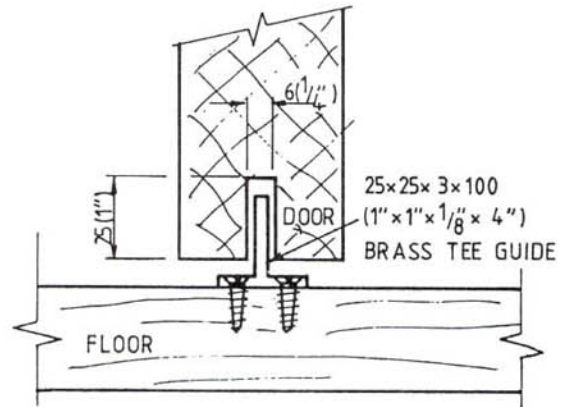
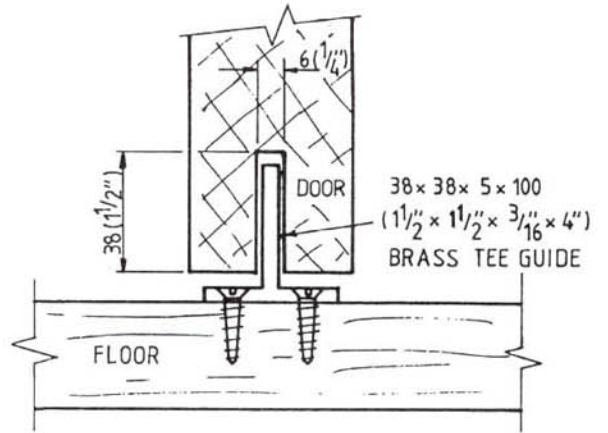
**FACE OF WALL
 FIXING**
 SCALE: FULL SIZE

ALLOY MEDIUM



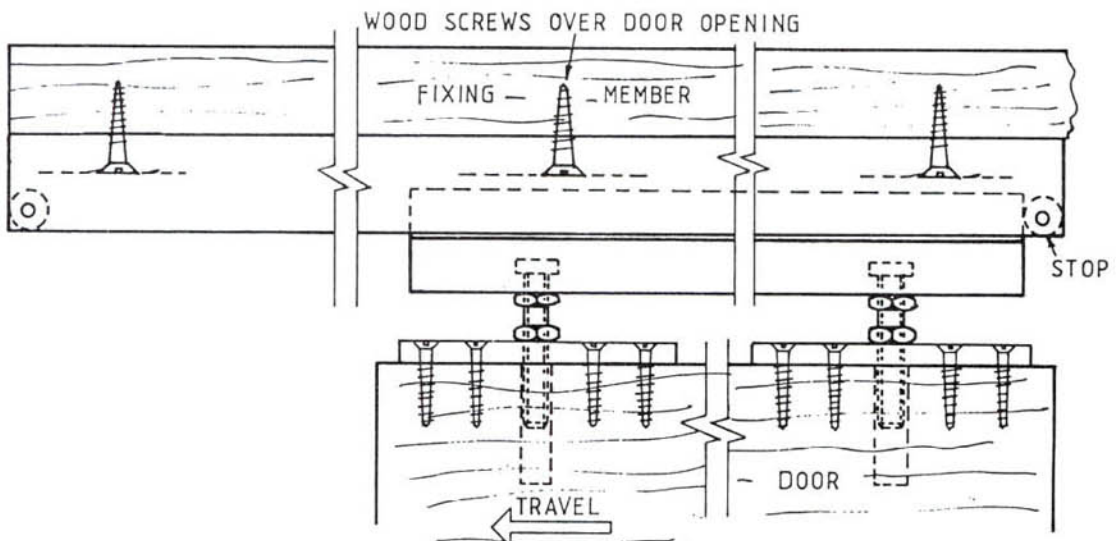
CAVITY WALL
FIXING

SCALE : HALF FULL SIZE



DOOR BASE
GUIDES

SCALE : HALF FULL SIZE



ELEVATION - CAVITY FIXING

SCALE : QUARTER FULL SIZE