

FITZROY BALL BEARING BOAT RACK TRACK

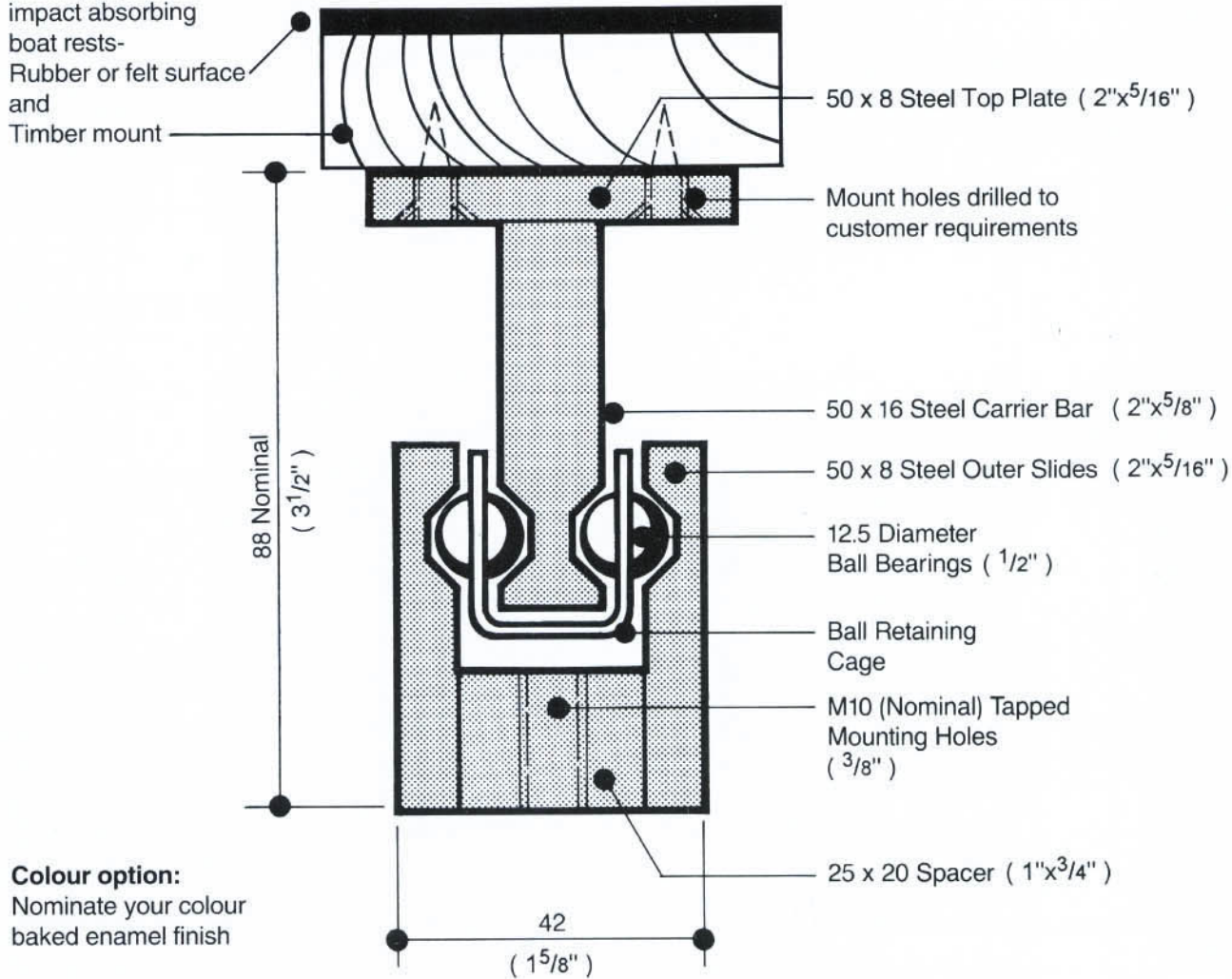
STEEL MEDIUM S500 BRT Weight Capacity 360 Kgs/pair

790 lbs /pair

TYPICAL SECTION STANDARD UNIT

It is recommended
 you supply and fit
 impact absorbing
 boat rests-
 Rubber or felt surface
 and
 Timber mount

SCALE: FULL SIZE

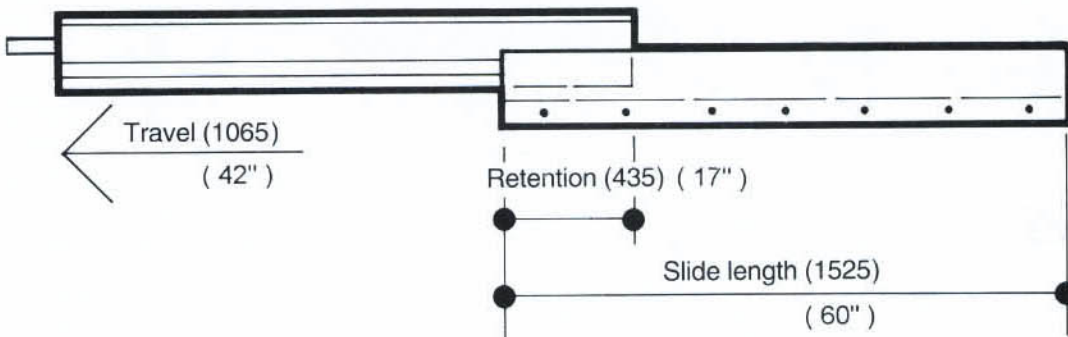


ELEVATION STANDARD BOAT RACK TRACK

NOT TO SCALE

Note: Slide Tracks must be parallel and level.

Standard measurements as shown, other sizes available.

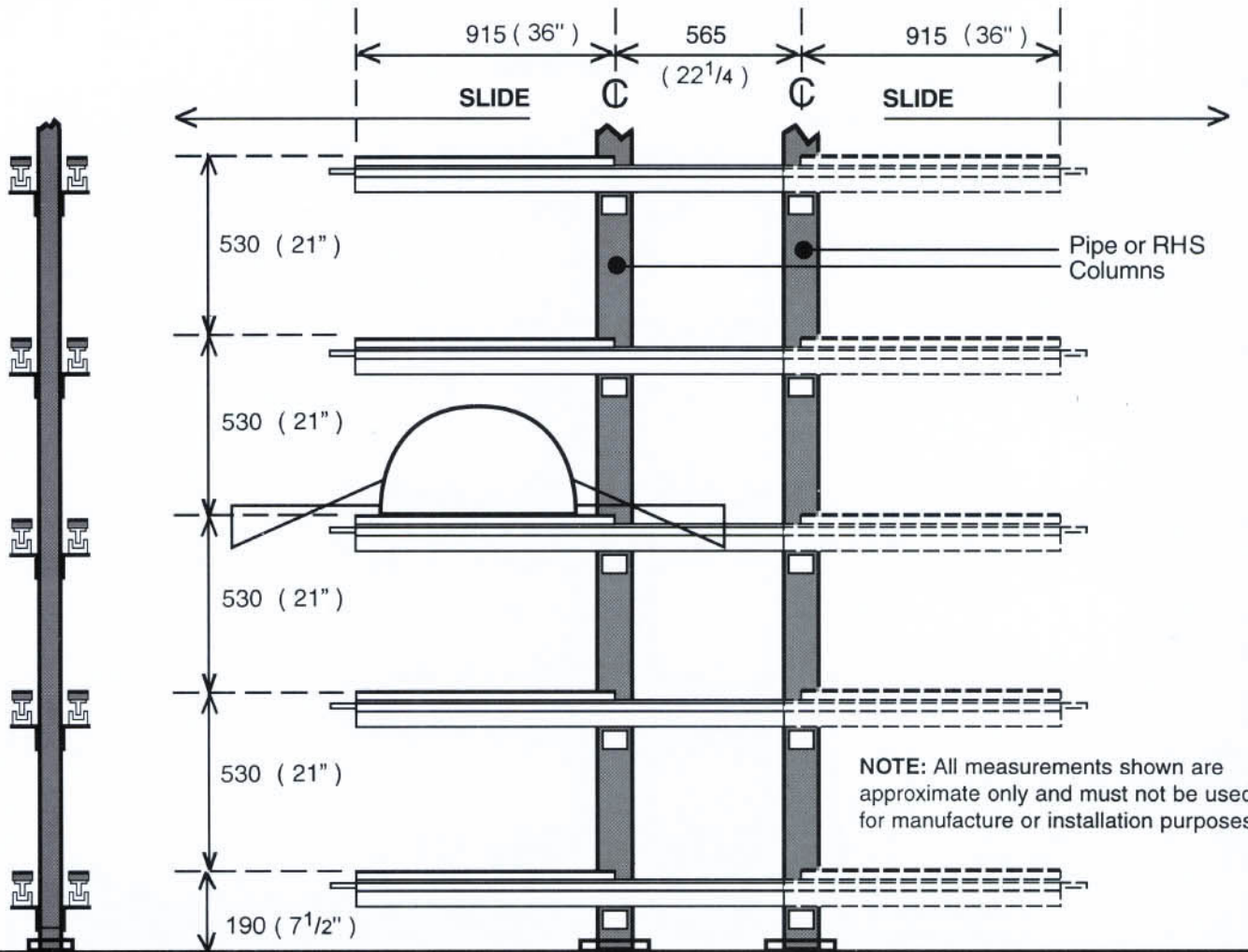


BOAT RACK TRACK

SUGGESTED INSTALLATION METHOD

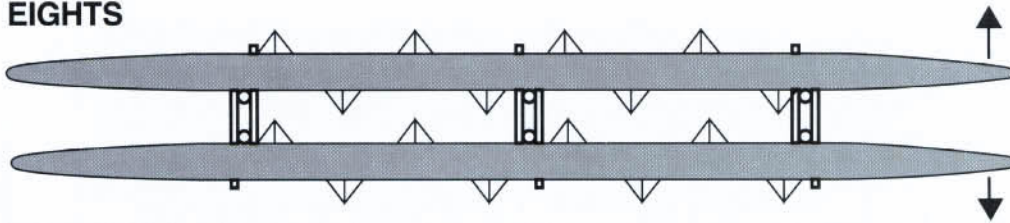
END SECTION

END ELEVATION
Through double/single rack mounting.

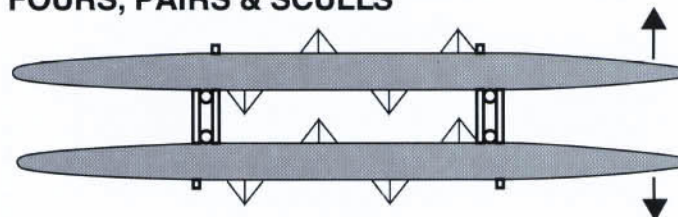


PLAN VIEWS

EIGHTS



FOURS, PAIRS & SCULLS



ALSO AVAILABLE:

Fitzroy Ball bearing
Oar Rack Tracks