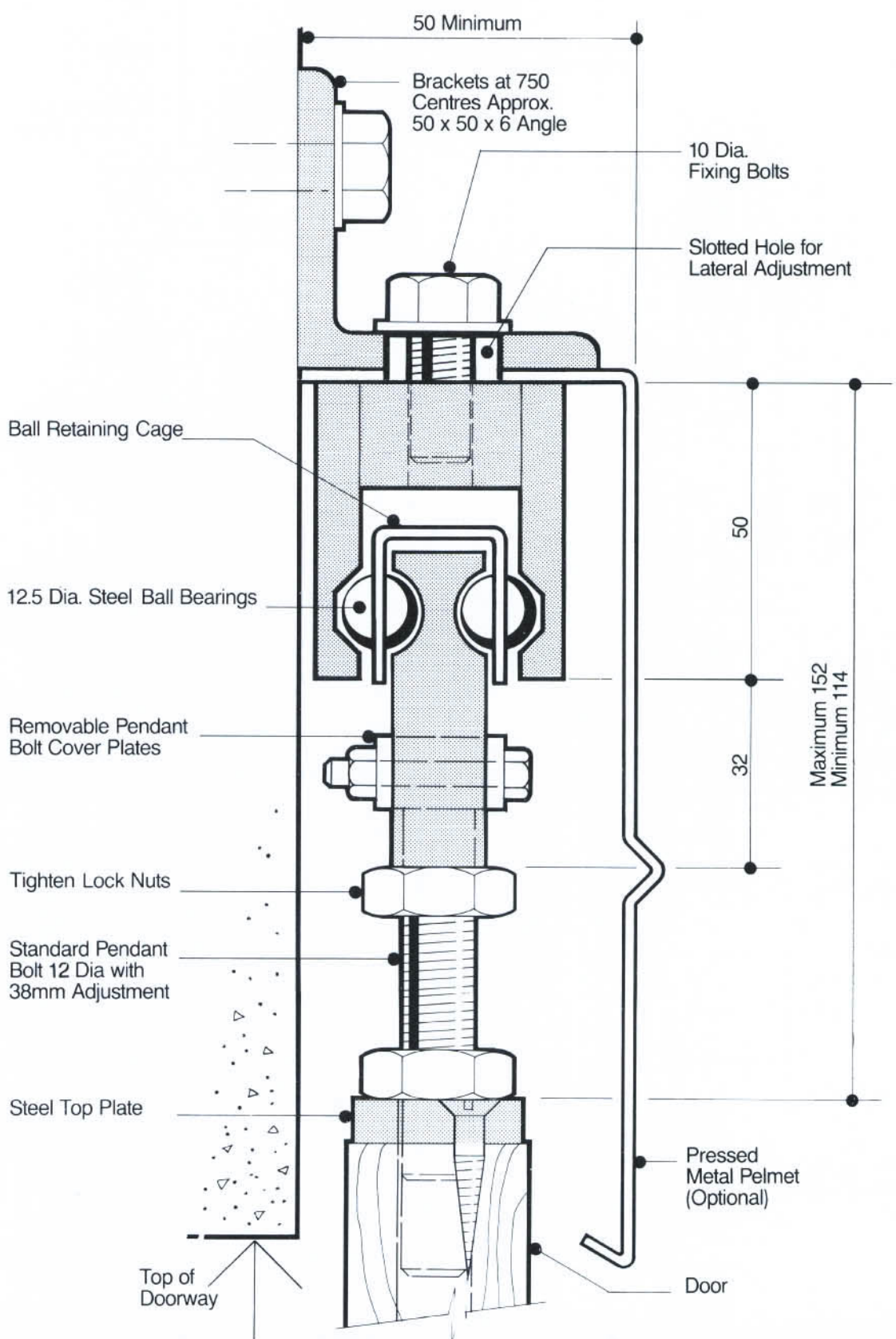


FITZROY BALL BEARING DOOR TRACKS

STEEL MEDIUM S500

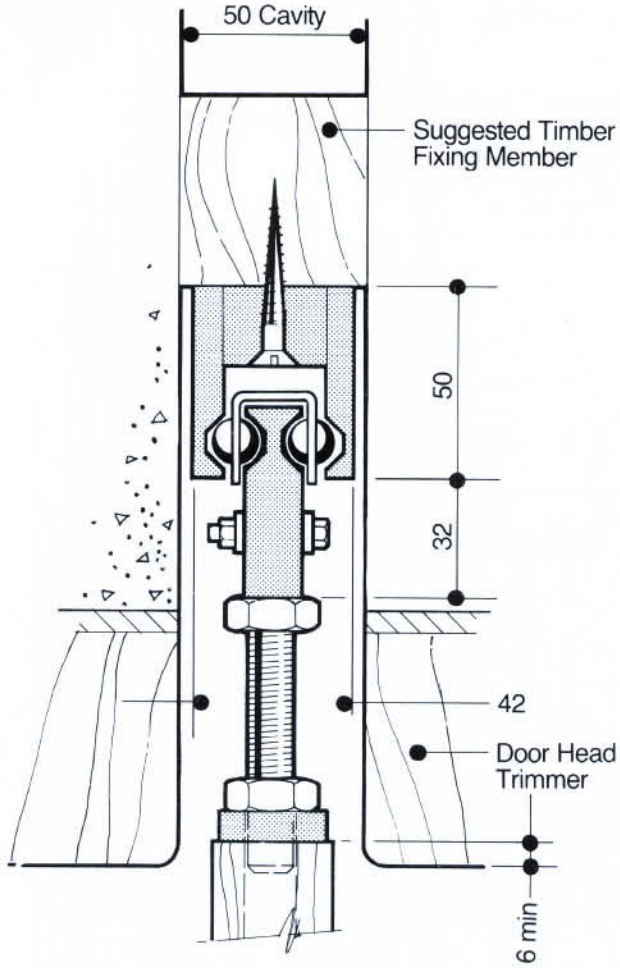
Weight Capacity 500 Kgs

FACE OF WALL FIXING SCALE: FULL SIZE



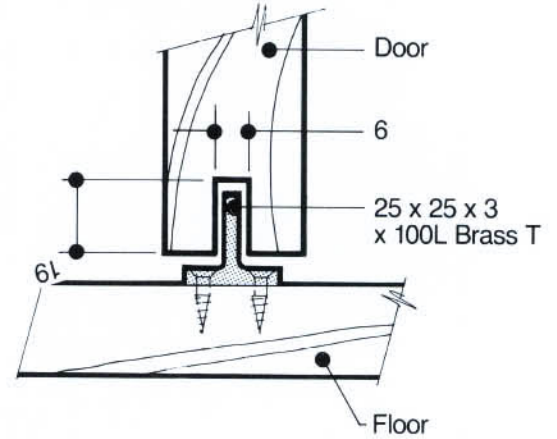
CAVITY WALL FIXING

SCALE: HALF FULL SIZE



DOOR BASE GUIDE

SCALE: HALF FULL SIZE



ELEVATION — CAVITY FIXING

SCALE: QUARTER FULL SIZE

